

32M x 64 DDR2 SDRAM

Optimum Density and Performance in One Package

The W3H32M64E-XSBX* is a member of WEDC's high density/high performance family of DDR2 SDRAM's designed to support high performance processors.



Product Features

- DDR2 Data Rate = 667*, 533, 400
- Core Supply Voltage = 1.8V \pm 0.1V
- I/O Supply Voltage = 1.8V \pm 0.1V - (SSTL_18 compatible)
- Differential data strobe (DQS, DQS#) per byte
- Internal, pipelined, double data rate architecture
- 4-bit prefetch architecture
- DLL for alignment of DQ and DQS transitions with clock signal
- Four internal banks for concurrent operation (Per DDR2 SDRAM Die)
- Programmable Burst lengths: 4 or 8
- Auto Refresh and Self Refresh Modes
- On Die Termination (ODT)
- Adjustable data – output drive strength
- Programmable CAS latency: 3, 4 or 5
- Posted CAS additive latency: 0, 1, 2, 3 or 4
- Write latency = Read latency - 1* t_{ck}
- User configurable as 2x32Mx32

Package

- 16 x 20mm, 208 Plastic Ball Grid Array (PBGA), 320mm²
- 2.56mm package body thickness max
- 1.00mm pitch

Benefits

- 62% space savings
- 42% I/O reduction
- Reduced part count
- Reduced trace lengths for lower parasitic capacitance
- Suitable for hi-reliability applications
- Commercial, industrial and military temperature ranges

* Advanced — This product that is developmental, is not qualified, and is subject to change or cancellation without notice.

For more information, visit our website at www.whiteedc.com or call (602) 437-1520 and ask for applications support.

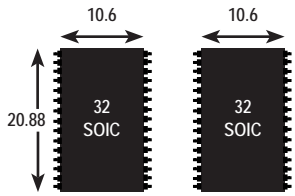
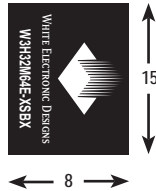


WHITE ELECTRONIC DESIGNS

Defense Microelectronics Division
3601 E. University Drive ■ Phoenix, Az 85034
Tel: 602.437.1520 ■ Fax:602.437.9120



Density Comparison Diagram

	CSP Approach (mm)	Actual Size W3H32M64E-XSBX	S A V I N G S
			
Area	$2 \times 221\text{mm}^2 = 442\text{mm}^2$	120mm^2	73%

* ADVANCED



WHITE ELECTRONIC DESIGNS

For ordering or information on any of our products and services, call White Electronic Designs at:

Defense Microelectronics Division
3601 E. University Drive ■ Phoenix, Az 85034
Tel: 602.437.1520 ■ Fax: 602.437.9120