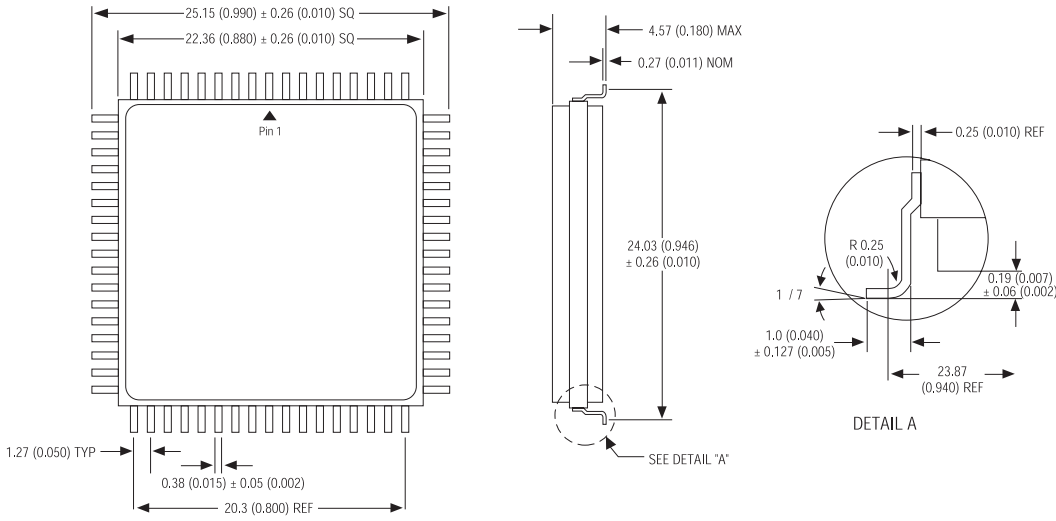
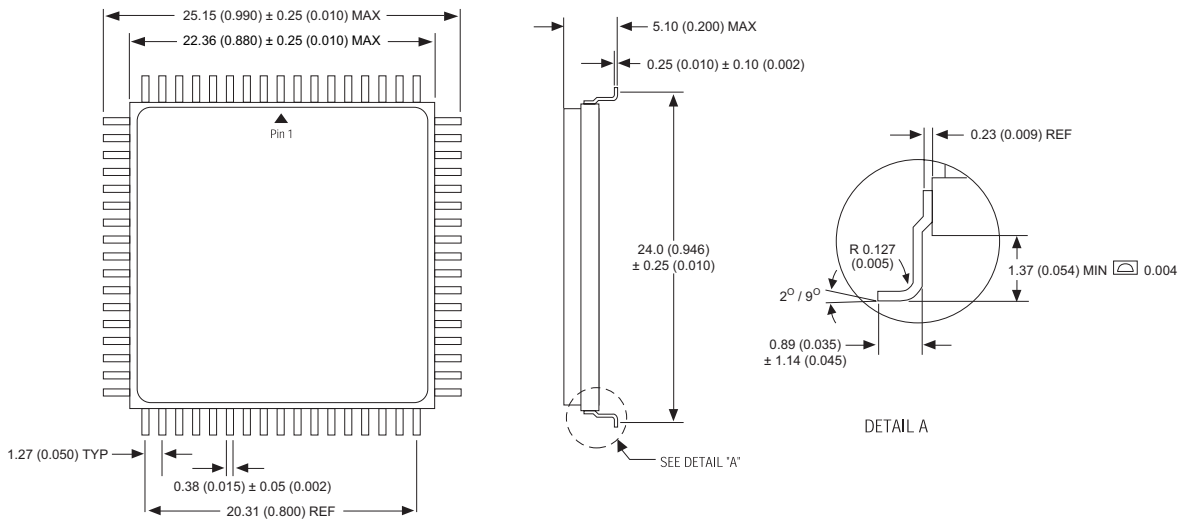


Package 509: 68 Lead, Ceramic Quad Flat Pack, CQFP (G2T)*



Package 528: 68 Lead, Ceramic Quad Flat Pack, CQFP (G2L)



* The G2L package has three differences from the G2T package:

1. A change in overall height from 4.57 (0.180) max in the G2T to 5.10 (0.200) max in the G2L.
2. The G2T is a dual cavity package, the G2L is a single cavity package.
3. A change in the height of the standoff, 0.19 (0.007) \pm 0.06 (0.002) for the G2T to 1.37 (0.054) min. for the G2L.

ALL LINEAR DIMENSIONS ARE MILLIMETERS AND PARENTHETICALLY IN INCHES