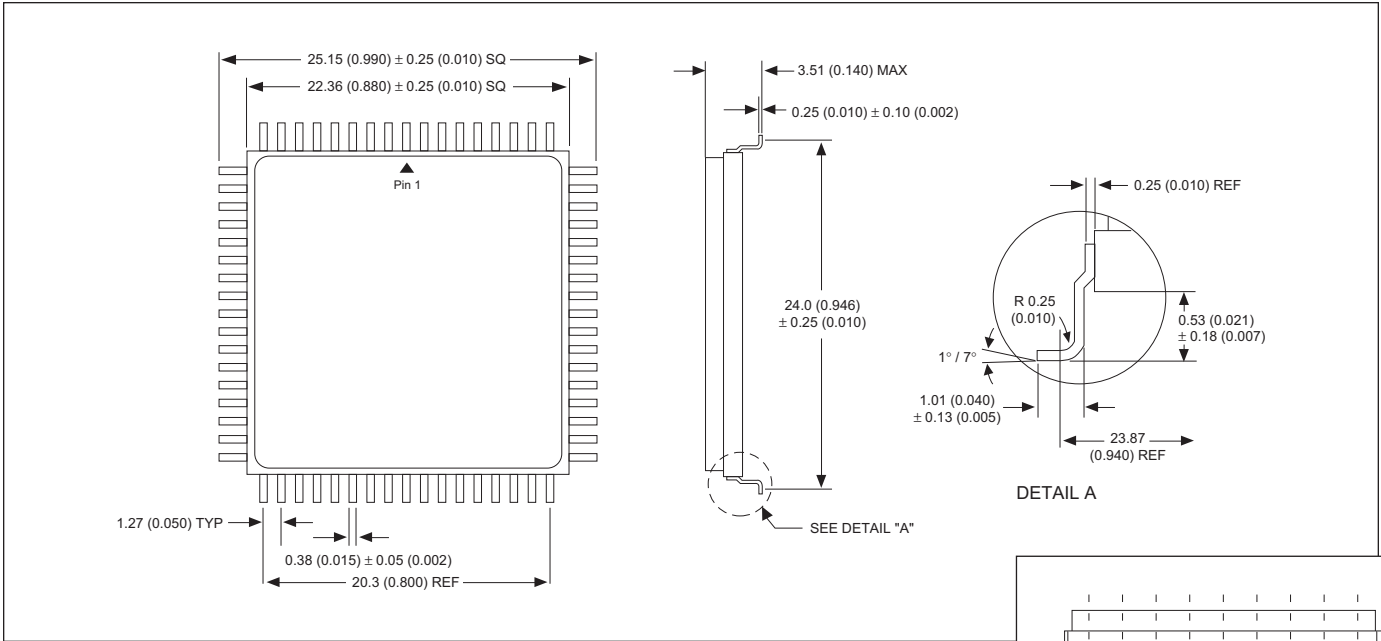




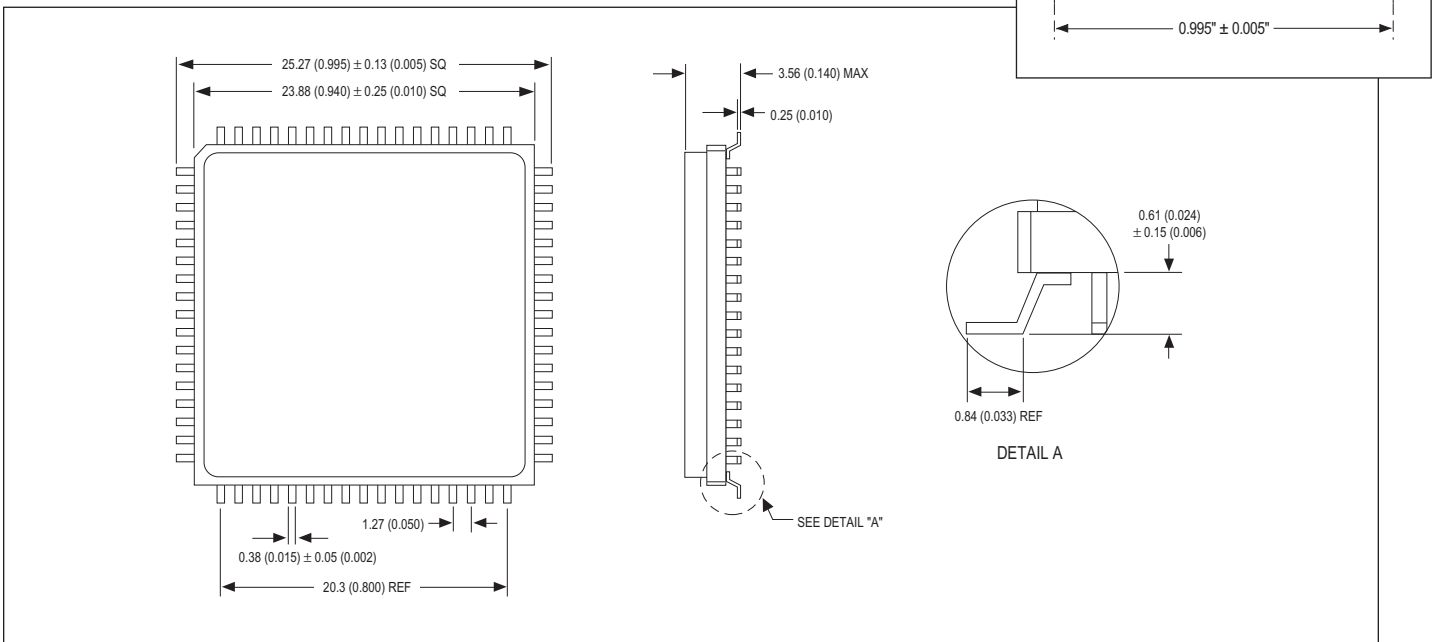
# G2U & G1U PACKAGE COMPARISON

## Application Note

### Package 510 – 68 LEAD, CERAMIC QUAD FLAT PACK, CQFP (G2U)\*



### Package 519 – 68 LEAD, CERAMIC QUAD FLAT PACK, CQFP (G1u)\*



ALL LINEAR DIMENSIONS ARE MILLIMETERS AND PARENTHETICALLY IN INCHES